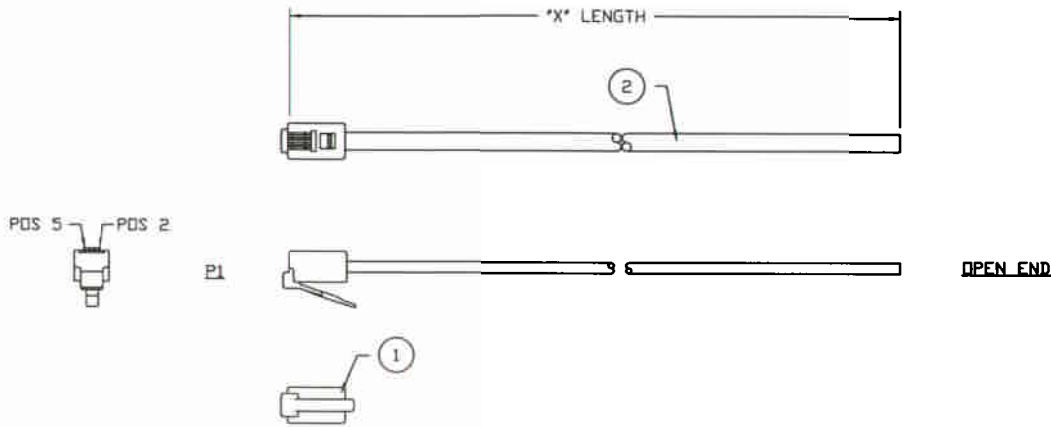


THESE DRAWINGS AND SPECIFICATIONS ARE THE SOLE PROPERTY OF I/O INTERCONNECT INC. U.S.A. AND SHALL NOT BE REPRODUCED, COPIED, OR USED IN ANY MANNER WITHOUT THE PRIOR WRITTEN CONSENT OF I/O INTERCONNECT INC. OR ITS AFFILIATED SUBSIDIARIES.

DWG. NO.	ZONE	REV.	DESCRIPTION	DATE	APPROVED
XX4-521-D		C	ECN C285	07/24/01	K.C.
		D	ADD NOTE & CHANGE P/N TO R0HS COMPLIANT PER ECN D829	04/21/05	M.G.



WIRE DIAGRAM

	OPEN END
P1	BLACK
2	RED
3	GREEN
4	YELLOW

NOTES: UNLESS OTHERWISE SPECIFIED.

- CABLE TO BE BUNDLED AND TWIST TIED.
- TEST CABLE FOR ALL OPENS & SHORTS.
- PACKAGE CABLE ASSEMBLY INDIVIDUALLY IN PLASTIC BAG. PACKAGE INDIVIDUAL BAG PER LOT NUMBER QUANTITIES.
- MARK OUTSIDE SHIPPING BOX WITH CUSTOMER PART NUMBER.
- PLACE BAR CODE LABEL ON THE OUTSIDE OF EACH SHIPPING BOX LABEL DETAIL SEE DWG 090-990-001.
- ALL METRICAL SHOULD BE R0HS COMPLIANT.

ITEM	QTY	MFG.	IOI PART NO.	DESCRIPTION
2	*X*	IOI	GLF-120-410-010	MODULAR CABLE, 26 AWG (7/34) BARE COPPER, 4 CONDUCTOR, UNSHIELDED, BLACK PVC. R0HS COMPLIANT.
1	1 PC	IOI	GLF-325-641-50X	CONNECTOR, MODULAR PLUG, 6 POSITION, 4 CONDUCTOR, 50u' Au, FLAT TYPE EXIT. R0HS COMPLIANT.

CABLE ASSEMBLY PARTS LIST

T.B.D.	GLF-464-254-521-D	25.0 FT ± 4.0 IN 7.62 M ± 101.6 MM																						
H3642-14-ND	GLF-464-144-521-D	14.0 FT ± 3.0 IN 4.27 M ± 76.2 MM																						
H3642-07-ND	GLF-464-074-521-D	7.0 FT ± 2.0 IN 2.13 M ± 50.8 MM																						
PART NUMBER DIGI-KEY	PART NUMBER I/O INTERCONNECT	LENGTH *X*																						
THIRD ANGLE PROJECTION 		I/O INTERCONNECT SANTA ANA, CALIFORNIA																						
UNLESS OTHERWISE NOTED: 1) DIMENSIONS ARE IN INCHES (MILLIMETER) 2) TOLERANCES: X.XX ± 0.25 (6.35)	<table border="1"> <tr> <td>DR BY</td> <td>DATE</td> <td>TITLE</td> </tr> <tr> <td>DR CHECKED</td> <td></td> <td>6P4C MODULAR TO OPEN END, BLACK, CABLE ASSEMBLY P/N: H3642-XX-ND</td> </tr> <tr> <td>NO.</td> <td></td> <td>PART NO: GLF-464-XX4-521-D</td> </tr> <tr> <td>ORDER</td> <td></td> <td>DWG NO: GLF-464-XX4-521-D</td> </tr> <tr> <td>DATE/SCALE</td> <td></td> <td>CUSTOMER: DIGI-KEY</td> </tr> <tr> <td>SA</td> <td></td> <td>SCALE: NONE</td> </tr> </table>	DR BY	DATE	TITLE	DR CHECKED		6P4C MODULAR TO OPEN END, BLACK, CABLE ASSEMBLY P/N: H3642-XX-ND	NO.		PART NO: GLF-464-XX4-521-D	ORDER		DWG NO: GLF-464-XX4-521-D	DATE/SCALE		CUSTOMER: DIGI-KEY	SA		SCALE: NONE	<table border="1"> <tr> <td>REV.</td> <td>D</td> </tr> <tr> <td>SHEET</td> <td>1 OF 1</td> </tr> </table>	REV.	D	SHEET	1 OF 1
DR BY	DATE	TITLE																						
DR CHECKED		6P4C MODULAR TO OPEN END, BLACK, CABLE ASSEMBLY P/N: H3642-XX-ND																						
NO.		PART NO: GLF-464-XX4-521-D																						
ORDER		DWG NO: GLF-464-XX4-521-D																						
DATE/SCALE		CUSTOMER: DIGI-KEY																						
SA		SCALE: NONE																						
REV.	D																							
SHEET	1 OF 1																							